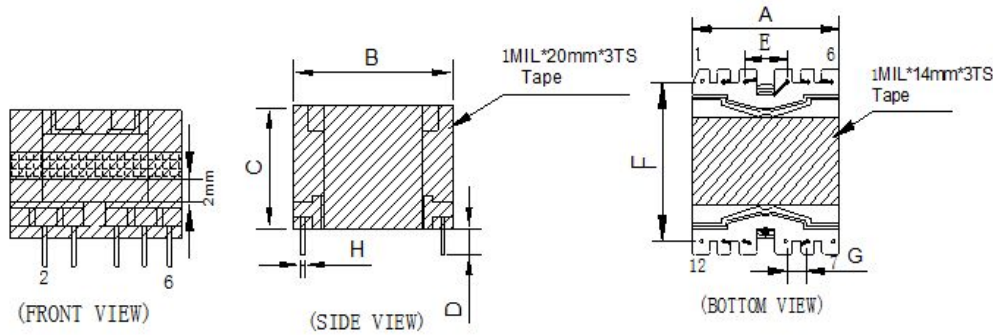


CUSTOMER TERMINAL	ROHS	Lead(Pb)-free
	YES	YES

1. Mechanical Dimensions

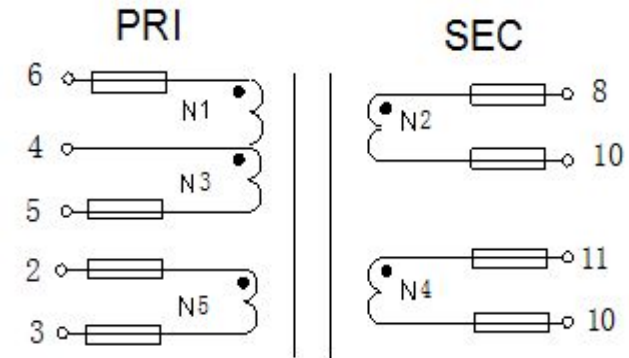


A	34.0	MAX
B	35.0	MAX
C	22.0	MAX
D	3.8	±0.5
E	7.4	±0.2
F	30.0	±0.3
G	5.0	±0.2
H	0.75	±0.1

3. Material List

Core: FW44 PQ3220
 Bobbin: FWB3201-1(6+6PIN)
 Wire: TIW LITZ 2UEW
 Copper foil: 0.025t*5.0mm
 Operating Temperature: -30 to 115 °C

2. Schematic Diagram



4. Electrical Specification

Inductance : L(6-5): 0.61mH ± 5% 40KHZ, 1.0V
 Leakage Inductance : 10uH MAX 40KHZ, 1.0V
 DCR : (6-5) = 0.387Ω MAX
 Hi-Pot: P-S: AC 60Hz 4000V 2mA 3S

REV.	DATE	 Convention Placement	DRW.		Drawing Title:	Part No:
0	00/00		CHK.			
ROHS			www.ferriwo.com	APP.		Customer P/N